



Perth Lift Company

*The Compact Lift Specialists*



# ESSENTIAL

CHAIR STAIRLIFT

## Main advantages of the Essential stairlift

- Ultra slim folded size of only 273 mm – the smallest profile on the market to keep the unit out of the way when not in use
- Quiet and smooth-riding operation
- Retractable seat belt
- Battery operated with built-in charging
- LED status lights
- Comfortable and durable seat with width-adjustable arms up to 51 cm wide and 140 kg loading capacity



**Safety contact strips** and **overspeed governor** ensure safety



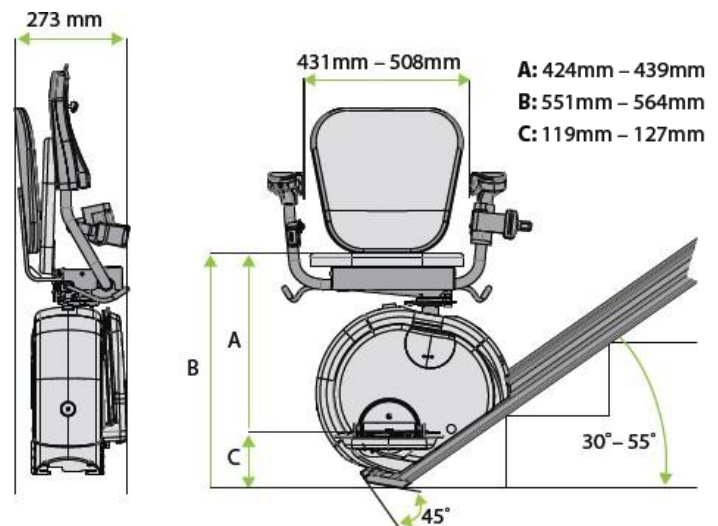
**Rack and pinion drive** for a safe and stable drive



**Ultra slim seat:** only 273 mm when folded

### Essential – Technical specifications

Loading capacity	140 kg
Stair angle	30-55°
Speed	0.08 m/s
Motor	24 V DC, battery driven
Drive type	Rack and pinion
Fold-up width	273 mm
Fold-out width	546 mm
Power supply	1 × 230 V / 50-60 Hz



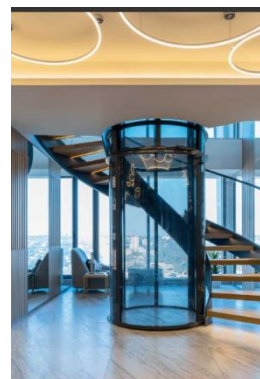
Visit our website for more details about this lift



Official partner of:



Contact your dealer for further information:



Perth Lift Company

*The Compact Lift Specialists*

- +61 08 6509 3326
- info@perthliftco.com.au
- www.perthliftco.com.au
- Gnangara Showroom open by appointment